

# UTK-624

## 23.8" Kiosk

UTK-624A ROCKCHIPS RK3288 A17

UTK-624D Intel® Celeron® J1900



### Features

- ARM/X86 dual hardware platform optional.
- Android/Windows dual system optional.
- 80mm Thermal printer.
- Full cut/half cut paper optional.
- Flexibility for mounting : Wall/Floor
- Web camera/ HD face recognition camera optional.
- Rich peripherals optional.
- Color customer designation.



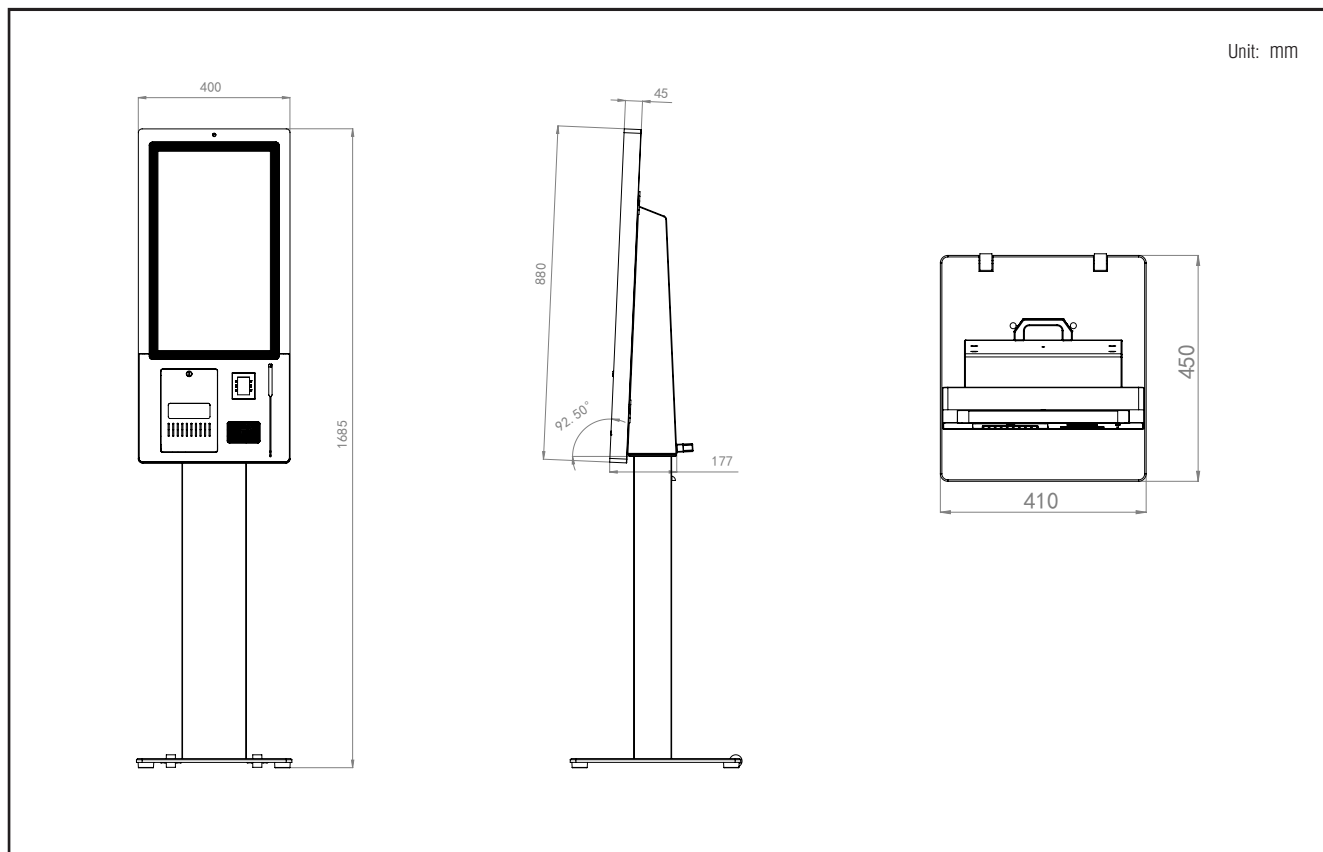
### Introduction

UTK-600 Series is an intelligent and fanless self-service system. Powered by the Intel® Celeron® Quad Core J1900 or RK3288 ARM CPU . These low-power platforms provide energy-efficient and environmentally responsible solutions, as well as multiple peripherals optional, to serve different industrial fields.

### Specifications

		Android	X86
The Host	CPU	RK3288 A17 Quad 1.8 GHz	Intel J1900 2GHz up to 2.42GHz
	RAM	2GB	1xSO-DIMM DDR3L 1333 MHz
	Storage	8G EMMC FLASH	1x2.5 internal SATA HDD bay 3 x
	COM	2 x COM ports	COM ports
	USB	3 * USB HOST + 4 * USB Socket	5x USB 2.0 port
	Interface	VGA+HDMI+LVDS	VGA+HDMI
	Network	RJ45 Gigabit Ethernet/WIFI*	
Panel	Size	23.8" TFT	
	Contrast	3000:1	
	Brightness	250cd/m2	
	Resolution	1080*1920	
	Response time	18 ms	
Touch screen	Viewing angle	178° /178°	
	Model	Projected Capacitive Touch Panel	
OS	Transparency	≥85%	
	OS	Android 6.0	WES 7P 32BIT&64BIT/Windows Pro Embedded 7 SP1 64bit/Win 10 IoT
Thermal Printer	Paper	80mm thermal paper , max print width 72mm	
	Storage	Page mode: 8MB Non-page mode: 32KB	
	Print speed	250mm/s	
	Print Resolution	203dpi	
Camera		5.0 million Web camera	
Scanner	Reading Type	Standard 1D/2D code reading	
	Image sensor	0.3 million pixels CMOS Sensor	
Card reader		RFID/NFC/MSR*	
Speaker		10W*2 Active loudspeaker	
Environment	Operating Temperature	0 ~ 40°C (32 ~ 104°F)	
	Storage Temperature	10 ~ 95% @ 40°C	
	Vibration During Operatio	0.5G	
	Shock During Operation	With HDD: 10 G, IEC 60068-2-27, half sine, 11 ms duration	
	EMC/Safety	CCC	
Power	Input	100-240V 4.5A AC	
Mechanical	Dimensions (W x H x D)	410 x510 x 1685 (mm)	
	Weight	50kg	

## Dimensions



## Ordering Information

Part No.	Description
UTK-624AP-SFK0E	23.8",kiosk,Android,RK3288,2G,8G,white
UTK-624DP-SFK0E	23.8",kiosk,J1900,4G,64G,white

## Installation Accessory

Part No.	Description
UTK-624-FSTAND0E	Floor stand for UTK-624,Black.
UTK-624-BSTAND0E	Base stand for UTK-624,Black.
UTK-624-WMOUNT0E	Wall mount for UTK-624, White.